



AQUADOS®

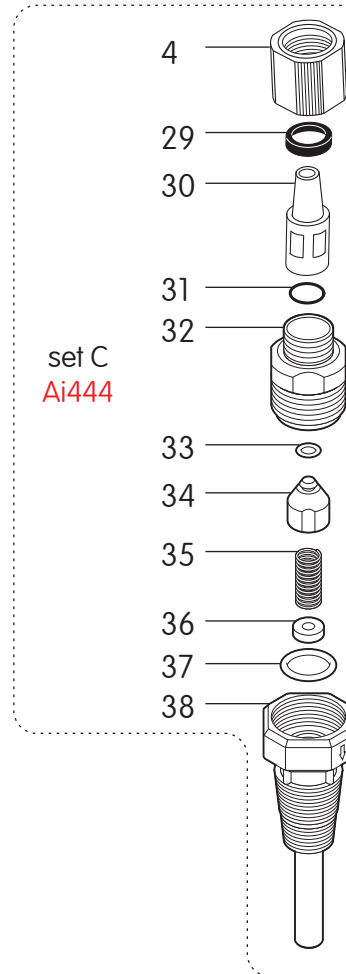
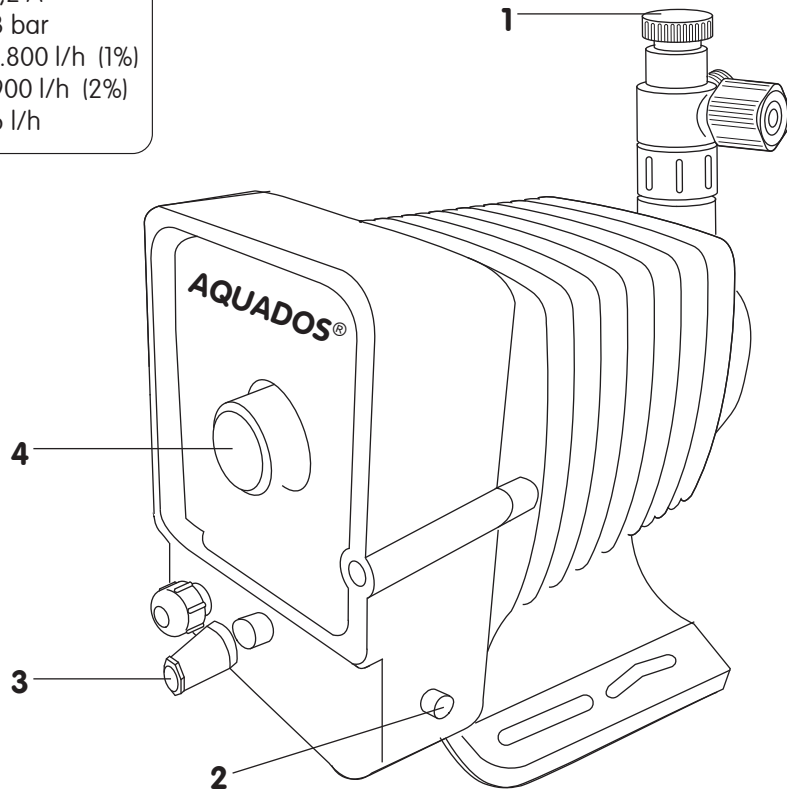
Metering pump EWN-C31 mobile



AQUADOS® metering pump
type: EWN-C31 mobile
doc. no: KR91A
version: 181004

Technical data

voltage:	100-240 V ac
frequency:	50/60 Hz
current:	1,2 A
op. pressure:	3 bar
max. flow:	1.800 l/h (1%)
	900 l/h (2%)
min. flow:	6 l/h

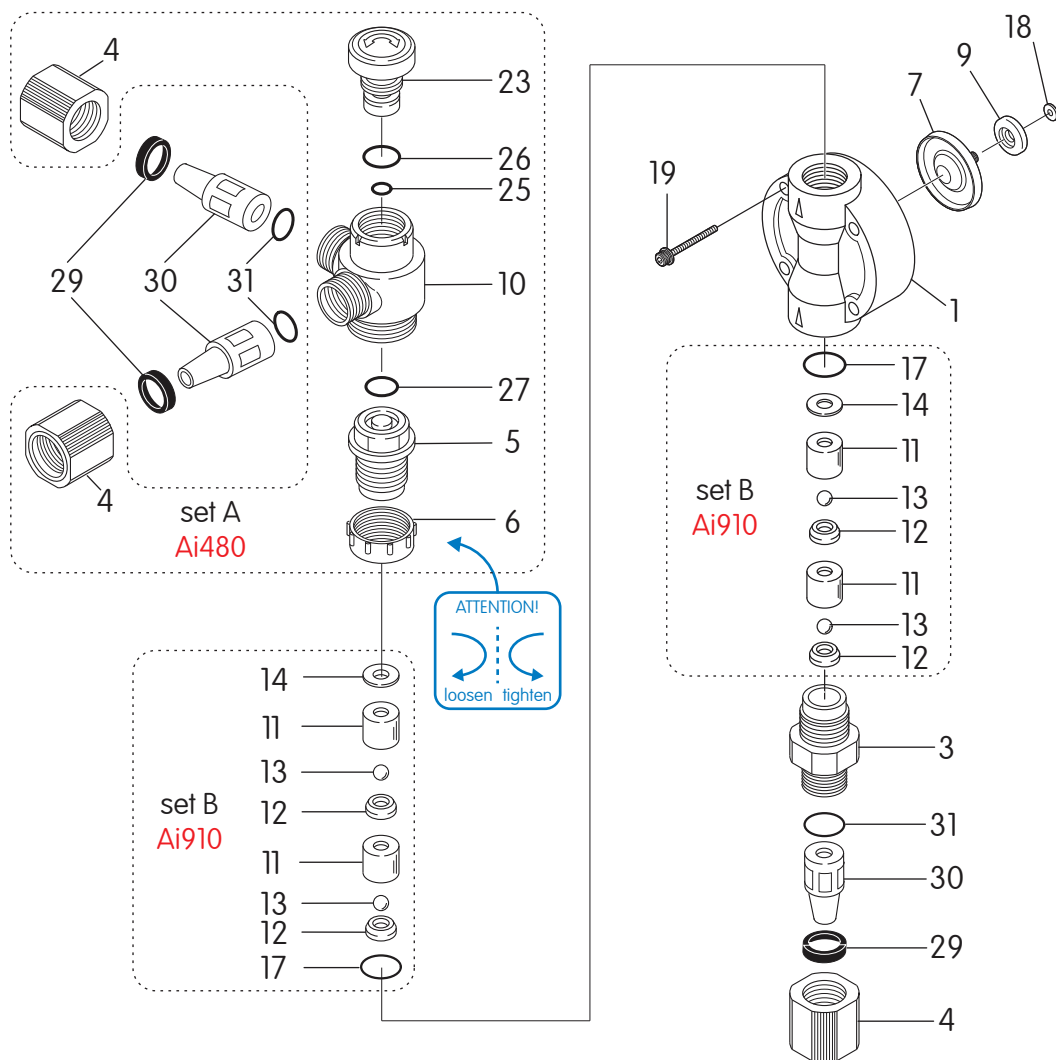


Injection valve

4	Fitting nut (GFRPP)	Ai297
29	Hose stopper (GFRPPS)	Ai375
30	Hose adapter (GFRPP)	Ai292
31	O-ring adapter (Viton)	Ai377
32	Upper valve case (GFRPP)	Ai44
33	O-ring conical valve (Viton)	Ai279
34	Conical valve (GFRPP)	Ai271
35	Spring (Stainless)	Ai60
36	Spacer ring (GFRPP)	Ai239
37	O-ring valve case (Viton)	Ai61
38	Lower valve case (GFRPP)	Ai241

Pump head

29	Hose stopper (GFRPPS)	Ai375
30	Hose adapter (GFRPP)	Ai292
31	O-ring adapter (Viton)	Ai377
4	Fitting nut (GFRPP)	Ai297
23	Air vent tap (GFRPP)	Ai148
26	O-ring air vent tap large (Viton)	Ai21
25	O-ring air vent tap small (Viton)	Ai202
10	Air vent body A (GFRPP)	Ai146
27	O-ring air vent body (Viton)	Ai374
5	Air vent body B (GFRPP)	Ai144
6	Lock nut (GFRPP)	Ai145
14	Valve gasket (PTFE)	Ai13
11	Valve guide (GFRPP)	Ai911
13	Valve (Ceramic)	Ai5
12	Valve seat (Viton)	Ai6
17	O-ring pump head (Viton)	Ai45
19	Hexagonal socket screw (Stainless)	Ai370
1	Pump head (GFRPP)	Ai399
7	Diaphragm (PTFE)	Ai305
9	Retainer (PPS)	Ai335
18	Diaphragm spacer (Brass)	Ai369
3	Fitting (GFRPP)	Ai274

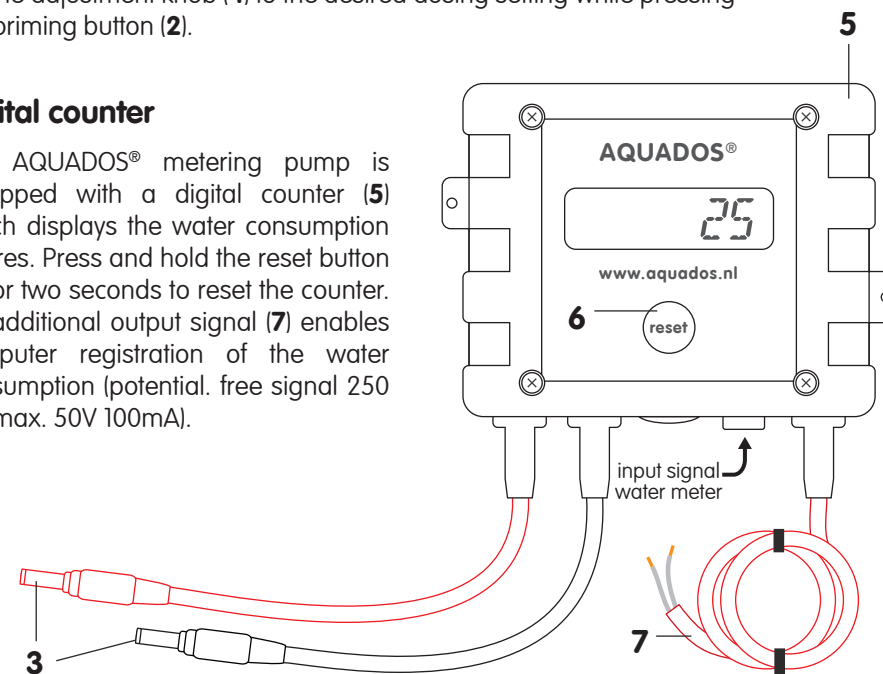


To put into operation

- Connect the water supply line (blue hose) and water output line (yellow hose) and enable flow through the system,
- Plug in the power supply cable into a 100-240 V ac 50/60 Hz socket.
- Open the air vent (1). ↻
- Press and hold the priming button (2) until liquid comes out of the air vent.
- Close the air vent (1). ↺
- Connect one of the mini plugs (3) to the metering pump. (black for the standard dosing range, red for the low dosing range)
- Set the adjustment knob (4) to the desired dosing setting while pressing the priming button (2).

Digital counter

The AQUADOS® metering pump is equipped with a digital counter (5) which displays the water consumption in litres. Press and hold the reset button (6) for two seconds to reset the counter. An additional output signal (7) enables computer registration of the water consumption (potential. free signal 250 ms max. 50V 100mA).

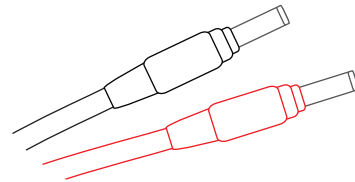


Dosage

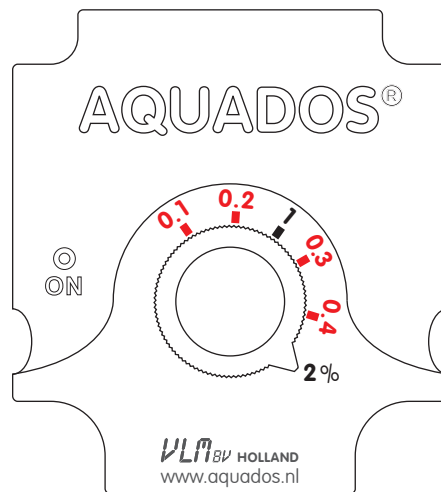
AQUADOS® metering pumps can be used to dose in a standard range or a low range. The dosing range can be adjusted by changing the connectors (black or red), then use the corresponding scale marks:

black scale marks in combination with the **black** connector for the standard dosing range

red scale marks in combination with the **red** connector for the low dosing range



type	dosage		connector
	%	l/m ³	
1%	0,1	1	red
	0,2	2	red
	0,5	5	black
	1,0	10	black
2%	0,1	1	red
	0,2	2	red
	0,3	3	red
	0,4	4	red
	1,0	10	black
	2,0	20	black



example of a 2% pump; for 1% pumps the max. scale marks are 1% resp. **0,2%**

Terms of use

Water distribution companies permit the use of metering pumps if precautions are made to prevent water from backing into and potentially contaminating the mains potable water supply. This can be achieved by means of a break tank: a water tank system with booster pumps that incorporates an air gap in a tank to prevent water from flowing back.

The final consumer is responsible for the installation, application and maintenance of the AQUADOS® metering pump. Check whether the pump functions properly and doses accurately before taking it into use. If not, please contact your dealer.

Maintenance

The AQUADOS® metering pump requires little maintenance: rinse the pump after every session with clean tepid water. This prevents fouling of the pump head and prevents mixing of the different agents that are dosed. Regularly lubricating the o-rings of the air vent with petroleum jelly can extend the lifespan.

Warranty

12 months warranty on materials.

The following cases will void the warranty:

- Opening by unauthorized persons;
- Insufficient maintenance and cleaning;
- Freezing of the device;
- Wrong installation or use;
- Poor water quality;
- Dosing of undiluted medicines.

Attention!

Never dose pure medicines with the **AQUADOS®** metering pump. Always dilute first.

When products are dosed that possibly form gas bubbles (e.g. chlorine or peroxide based products) it is recommended to use an automated air vent. This will prevent problems due to accumulated gas bubbles in the pump head. Please contact your dealer.